

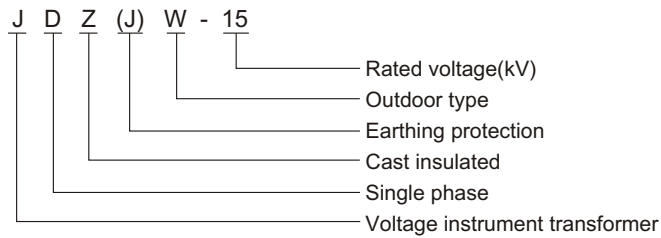
JDZ(J)W-15 Voltage Transformer

Summary

The supporting-type voltage instrument transformers JDZ(J)W-15 are fully enclosed and cast in epoxy resin. The transformers are designed for electric power systems of rated frequency 50Hz/60Hz and rated voltage of 15kV. They are used for indoor mounting. The performances of the products meet standards IEC60044-2 and GB1207-2006. The products are applied to metering electric energy, voltage controlling and relay protection.



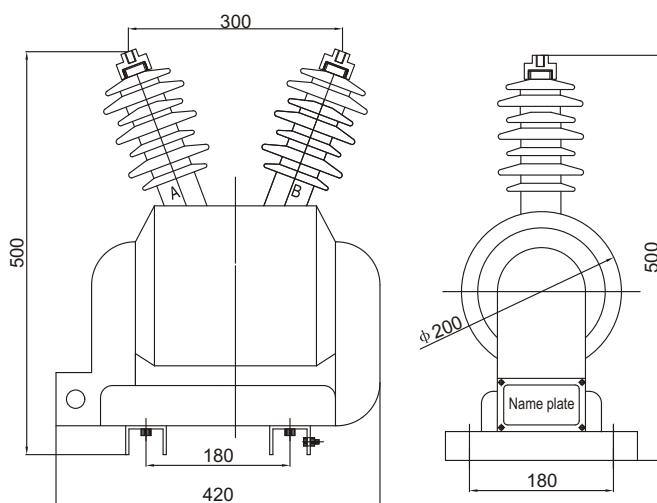
Model



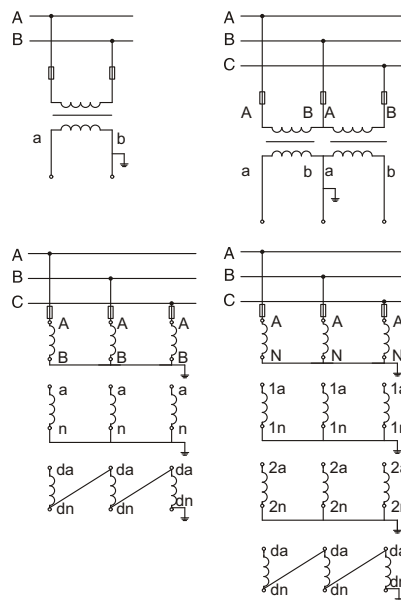
Technical specification

Model	Rated voltage ratio(V)	Accuracy combination	Rated output (VA)	Limit output (VA)	Rated insulation level(kV)
JDZ(J)W-15	13800/√3/100/√3/100/3	0.2/6P(3P) 0.5/6P(3P) 1/6P(3P) 3/6P(3P)	30/100 50/100 150/300 150/300	600	18/55/105
	15000/√3/100/√3/100/3				
	15750/√3/100/√3/100/3				
	13800/√3/100/√3/100/3	0.2/0.2/6P(3P) 0.2/0.5/6P(3P) 0.5/0.5/6P(3P)	25/25/100 25/40/100 50/50/100	400/400	
	15000/√3/100/√3/100/3				
	15750/√3/100/√3/100/3				

Outline dimension



outline dimension diagram



Wiring diagram